

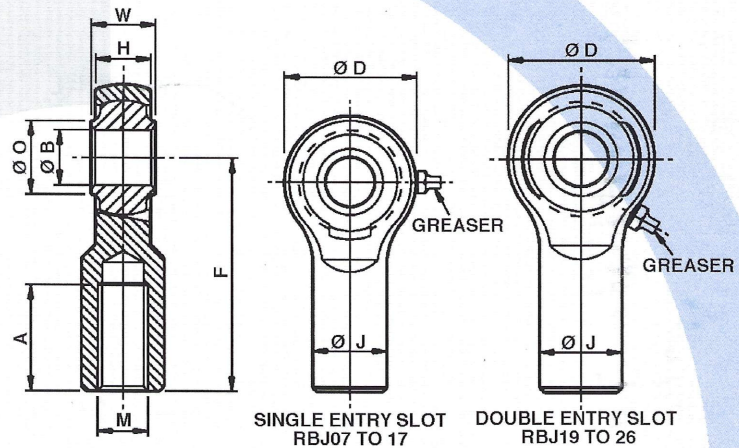
Imperial Female Rod End Bearings, Metal to Metal Entry Slot construction, Ground track

Rod End housing

Nickel chromium molybdenum steel
Heat treated to 80/90 tons/in²
Tensile
Phosphated all over

Ball

1% carbon chromium steel
Heat treated
Phosphated all over



SINGLE ENTRY SLOT
RBJ07 TO 17

DOUBLE ENTRY SLOT
RBJ19 TO 26

For tight fit add suffix 'TF' to part no. Eg. RBJ11UTF
Suffix 'G' in part no. denotes grease nipple

Rose part no	B	W	H	O	D	F	A	J	M		X	Max static radial load	Weight
	Bore dia	Ball width	Head width	Ball face dia	Head dia	Centre length	Thread length	Shank dia	Thread size	Thread hand	Angle		
RBJ	+0.0025 -0.0025	+0.000 -0.005	+0.005 -0.005	Min	+0.010 -0.010	+0.010 -0.010	+0.060 -0.030	+0.010 -0.010	UNF-2B		deg	lbf	lb
07U	.2500	.375	.320	.375	.812	1.125	.562	.400	.2500 - 28	RH	22	2800	.055
08U	.2500	.375	.320	.375	.812	1.125	.562	.400	.2500 - 28	LH	22	2800	.055
10U	.3125	.437	.375	.437	.937	1.312	.687	.437	.3125 - 24	RH	21	4400	.082
11U	.3125	.437	.375	.437	.937	1.312	.687	.437	.3125 - 24	LH	21	4400	.082
	+0.0025 -0.0025	+0.000 -0.005	+0.005 -0.005	Min	+0.030 -0.010	+0.030 -0.010	+0.060 -0.030	+0.030 -0.010					
13U	.3750	.562	.480	.562	1.218	1.625	.875	.600	.3750 - 24	RH	22	6300	.198
14U	.3750	.562	.480	.562	1.218	1.625	.875	.600	.3750 - 24	LH	22	6300	.198
16U	.5000	.750	.640	.750	1.625	2.125	1.125	.800	.5000 - 20	RH	22	11200	.463
17U	.5000	.750	.640	.750	1.625	2.125	1.125	.800	.5000 - 20	LH	22	11200	.463
	+0.0050 -0.0025	+0.000 -0.005	+0.005 -0.005	Min	+0.030 -0.010	+0.030 -0.030	+0.060 -0.030	+0.030 -0.010					
19GU	.6250	.875	.750	.875	1.937	2.625	1.375	1.000	.6250 - 18	RH	21	17500	.687
20GU	.6250	.875	.750	.875	1.937	2.625	1.375	1.000	.6250 - 18	LH	21	17500	.687
22GU	.7500	.875	.812	1.000	2.125	3.125	1.750	1.125	.7500 - 16	RH	16	25000	.875
23GU	.7500	.875	.812	1.000	2.125	3.125	1.750	1.125	.7500 - 16	LH	16	25000	.875
25GU	1.0000	1.375	1.0000	1.375	3.000	4.125	2.125	1.625	1.2500 - 12	RH	24	41000	2.500
26GU	1.0000	1.375	1.0000	1.375	3.000	4.125	2.125	1.625	1.2500 - 12	LH	24	41000	2.500

Dimensions in inches

Diametral clearance		
Bore size	Normal fit inches	Tight fit inches
07U to 14U	0 to .0013	0 to .0007
16U to 23U	0 to .0016	0 to .0008
25U to 26U	0 to .0019	0 to .0010

For other sizes and options please contact Rose Bearings.

Please consult Rose Bearings for availability of bearings in this series.

Rose Bearings operates a policy of continual improvement, and therefore reserves the right to revise specifications without notice.

Rose Bearings Ltd - Doddington Road, Lincoln LN6 3RA UK TEL: 01522 500933 FAX: 01522 696485